



Foldable and convertible seat kit.
Conversion up to 30 min.

Foldable side steps and backrests.
Possible sitting with legs in or outside (fast action).
Gun holders in corners. Setabelts.
Optional: heating and foldable side holders for stretchers.



ACCESSORIES FOR MILITARY VEHICLES



A. MACHINE GUN MOUNTS



UKM and PKM mashine gun holder.

Adjustable firing angle with brake
From -10° to $+60^{\circ}$
Ammo can holder
Small pintle.

Part no. UB.UKM2.01



FN Minimi mashine gun holder.

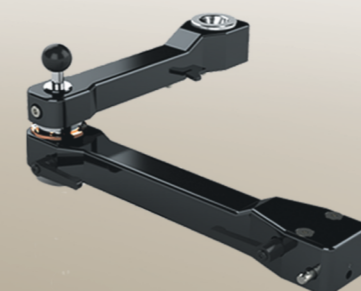
Adjustable firing angle with brake
From -10° to $+60^{\circ}$
Ammo can holder
Small pintle.

Part no. UB.MINIMI.01



The Universal Pintle Adapter (UPA) is typically used in vehicle turrets mounts that have a Bearing Sleeve. The UPA installs in the Bearing Sleeve and accepts any gun mount that has both a standard small pintle. Locking bolt and locking pin. Available with armor shield mounting points.

Part no. UB.UPA.01



Swing Arm is a double-articulated arm that incorporates an integrated holder, friction locks and quick-release system.

Locking pin.
Small pintle.

Part no. UB.R2.01

Contact deitals:

Auto Podlasie Sp. z o.o.
14 Terespolska
Siedlce, 08110 Poland
☎ 22 120 17 20
✉ kontakt@aproduct.pl
🌐 www.grupaautopodlasie.pl
www.aero4x4.com

Contact person:

Piotr Lasek
Constructor
☎ +48 604 796 824
✉ piotr.lasek@toyota-siedlce.com.pl



Adjustable Height Pedestal.

Is designed to be mounted in a cargo bed of any pick-up style truck behind the cab. This mounting location gives the maximum amount of space in the bed for other equipment, while providing a gunner with approximately 180° field-of-fire.

- Adjustable high.
- Large pintle.
- Locking bolt and locking pin.
- Fast mounting.

C. CARGO PLATFORM MODIFICATION EQUIPMENT

SELF-LOADING KIT



It is designed to load cargo up to 1,5T onto the platform without the use of additional equipment.
Includes two foldable traps and electric winch.
Traps are transported in the space under the load box.
Self-loading kit fits to MILPO special trailer and AERO vehicle.



Adjustable Height Mounting Bracket.

Length 300 mm

Part no. UB.03.10



KIT OF FLEXIBLE DROP SIDES



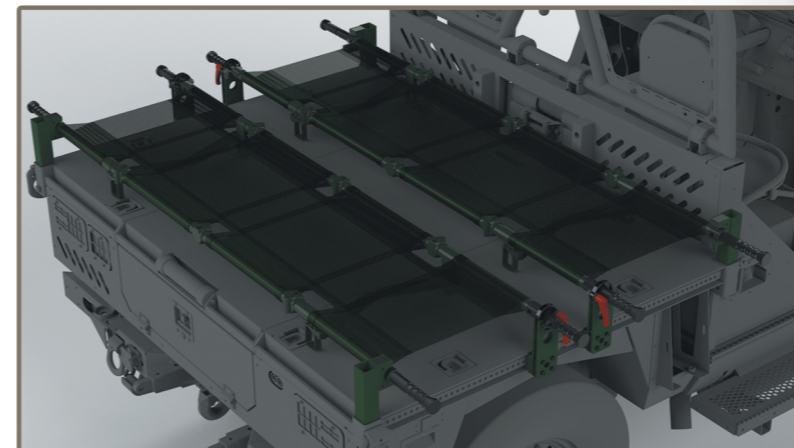
Easy removable set of flexible drop sides of the loading platform for transportation military equipment or small cargo.
Set fits to MILPO special trailer and AERO vehicle.

B. TURRETS



Ultra-light 360 degree turret with bearing.
Manual drive with handle for right or left-handed.
Foldable arms, small pintle and quick-release system.

STRETCHER HOLDERS

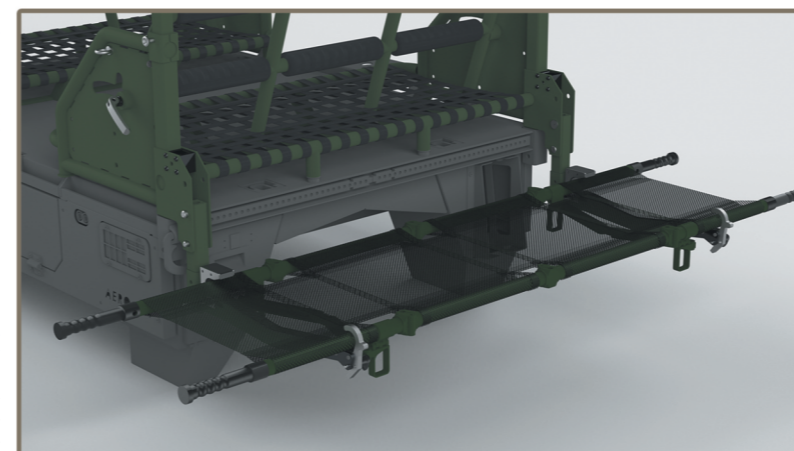


Stretcher holders mounted on the loading platform of the AERO vehicle.
For two stretchers compliant with NATO STANDARD.



Medium 360 degree turret with bearing.
Electric or manual drive with handle for right or left-handed.
Armoured shields.
Large pintle.

STRETCHER HOLDERS



Double side and folded arms for stretchers.
Stretchers compliant with NATO STANDARD.